



Stock Pre-assembled

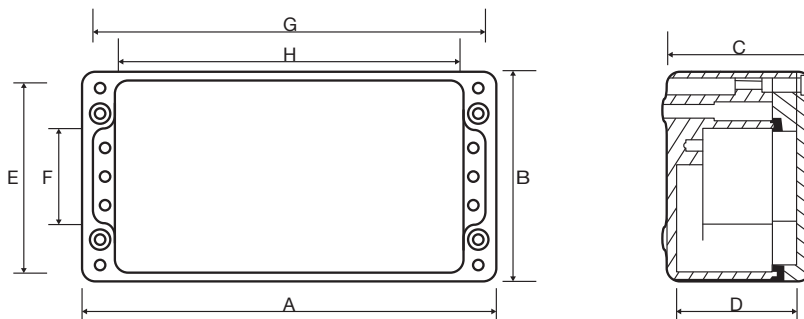
IP66 Polyester (GRP) ATEX Enclosures

Our CEP black polyester (GRP) enclosures are available in 4 popular sizes and terminal configurations to meet our customers' urgent Ex requirements.

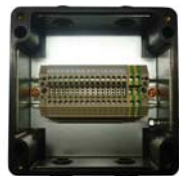
All pre-assembled enclosures meet current Ex e, Ex ia and Ex ib requirements to EN 60079:2007

Rated to IP66 and T6 (T85°C) or T5 (100°C) temperature ratings

Ex certified, certificate number SIRA08ATEX3213



Product Code	A	B	C	D	E	F	G	H
CEP 807555PA	80mm	75mm	55mm	46mm	66mm	27mm	71mm	56mm
CEP 121290PA	122mm	120mm	90mm	81.5mm	111mm	66mm	113mm	90mm
CEP 161690PA	160mm	160mm	90mm	80mm	148mm	90mm	148mm	120mm
CEP 261690PA	260mm	160mm	90mm	80mm	148mm	90mm	90mm	220mm



CEP 807555PA

Machined & assembled with:

- 2 x M20 cable entries
- 5 x 2.5mm² terminals, numbered and fitted to DIN rail
- 1 x 4mm² earth terminal
- Earth continuity plate
- M6 earth stud
- 2 certified stopping plugs
- ATEX Certification label

CEP 121290PA

Machined & assembled with:

- 4 x M20 cable entries
- 10 x 2.5mm² terminals, numbered and fitted to DIN rail
- 2 x 4mm² earth terminals
- Earth continuity plate
- M6 earth stud
- 4 certified stopping plugs
- ATEX Certification label

CEP 161690PA

Machined & assembled with:

- 4 x M20 cable entries
- 15 x 2.5mm² terminals, numbered and fitted to DIN rail
- 2 x 4mm² earth terminals
- Earth continuity plate
- M6 earth stud
- 4 certified stopping plugs
- ATEX Certification label

CEP 261690PA

Machined & assembled with:

- 10 x M20 cable entries
- 26 x 2.5mm² terminals, numbered and fitted to DIN rail
- 2 x 4mm² earth terminals
- Earth continuity plate
- M6 earth stud
- 4 certified stopping plugs
- ATEX Certification label